

Golden Cloud Wall

DESIGN | PAOLO CASTELLI



Finishes of the above picture



Muranese glass with
24Kt golden leaf
powder

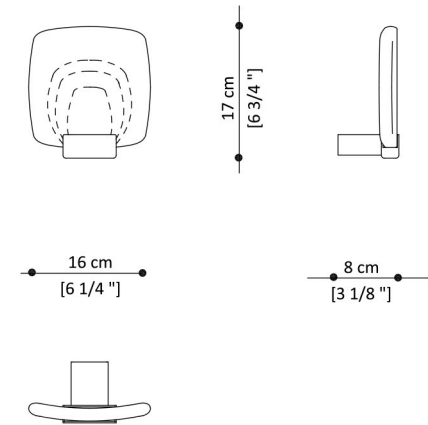


Metal Finish
Matt Gold

Preziosa lampada a parete interamente realizzata a mano secondo le più antiche tradizioni muranesi. L'elemento, realizzato in vetro di Murano con un triplo passaggio di foglia d'oro 24Kt, è agganciato a un corpo metallico in finitura oro opaco che alloggia al suo interno la sorgente led e il proprio driver.

Precious wall lamp entirely handmade according to the most ancient Murano traditions.

The element, made of Murano glass with a triple passage of 24Kt gold leaf, is hanged to a metal body in mat gold finish which hosts the LED source and its driver inside.



TECHNICAL SHEET
GOLDEN CLOUD WALL
Light source: LED
Total power: 3W
Voltage: 220-240 V
Rated luminous flux: 5000 Lm
Colour temperature: 2700° K
Colour rendering index: Ra>80
Dimmer function: No
Weight: Kg 2
Package weight: Kg 8

GOLDEN CLOUD WALL | ILL.GOLD.500
Glass lampshade - Muranese glass with 24Kt golden leaf powder
Metal body in matt gold finish